

STATE URBAN DEVELOPMENT AGENCY

“ইলগাস ভবন”, এইচ-সি ব্লক, সেক্টর-৩, বিধাননগর, কলকাতা-৭০০ ১০৬, পশ্চিমবঙ্গ
 “ILGUS BHAVAN”, H-C Block, Sector - III, Bidhannagar, Kolkata - 700 106, West Bengal

ক্রমিক নং SUDA-158/2018/6845

তারিখ 30.09.2019

From: Finance Officer, SUDA

To: Chairman, Kalimpong Municipality

MEMORANDUM

Sub: Release of fund for 400 nos of IHHL units to Kalimpong Municipality under Mission Nirmal Bangla (U)/ Swachh Bharat Mission (U)

Sir,

In response to the requisition of Kalimpong Municipality Vide letter no. 232/CM Dated 11.07.2019 an amount of Rs. 31,96,000 has been released in favour of Kalimpong Municipality for construction of 400 Individual Household Latrine (IHHL) of Kalimpong Municipality under Mission Nirmal Bangla (U)/ Swachh Bharat Mission (U).

The detail of fund released is placed below:

Sl No.	ULB Name	Target no of IHHL	Central Share (@ Rs. 4000/-)	Matching State share (@ Rs. 1333/-)	Additional State share (@ Rs. 2657/-)	Total fund released
1	Kalimpong Municipality	400	1600000	533200	1062800	3196000
Total			1600000	533200	1062800	3196000

The amount has been released to the A/C no: - 50200017810765 of HDFC Bank Ltd. of Kalimpong Branch in the name of Kalimpong Municipality on the date 25.09.19.

2. It has further been decided that while releasing funds unit wise contribution of stakeholders as detailed below shall be followed:

GOI Share	:	Rs. 4000
Matching State Share	:	Rs. 1333
ULB Contribution	:	Rs. 2000
Beneficiary's contribution	:	Rs. 1000
Additional State Share	:	Rs. 2657
Total		Rs. 10,990

3). A model plan & estimate of IHHL is attached for ready reference.

4) The release of fund is also subject to the following conditions:

- a) The fund should be utilized only for the purpose for which it is released and for no other purpose.
- b) Works for the released amount should be executed strictly as per scheme Guidelines.
- c) The allotted work should be completed by 31st December without fail. The toilets should be geo tagged.
- d) The amount released herein should be kept in the dedicated Bank Account for SBM maintained by the ULBs.
- e) A subsidiary Cash Book should be maintained for keeping accounts (deposits and withdrawals) of funds.
- f) Money receipt in Form 42 may be sent immediately after receipt of the online transfer.
- g) UC should submit this office after completion of work by 31st December, 2019 positively in GFR19A form along with physical progress details.

Y. H. S. S.
30.09.19.

Finance Officer, SUDA.

-03-

Exhibit

Abstract of Cost Estimate of Individual Household Latrine with GCI Sheet Wall, Roof & Door and Double leach pit of circular ferro-cement/ concrete rings.

Sl. No.	Description of Item	Quantity	Unit	Rate (Rs.)	Amount (Rs.)
1	1st Class Bricks	85.00	Each	8.50	722.50
2	Cement (Reputed brand with ISI mark)	3.00	Bag	370.00	1110.00
3	1/2" Stone Chips	5.00	C.ft.	43.00	215.00
1	Sand (Coarse)	15.00	C.ft.	32.00	480.00
2	Steel (using 8 mm rod) for 2 pit covers	2.50	kg	55.00	137.50
3	Jhama bats (PWD SOR-Wage for Breaking)	3.00	C.ft.	40.00	120.00
4	GCI sheet (of thickness 0.18 mm) for door of height 5'-0" (cutting piece from sheet of full height 10'-0"; 7 pieces in bundle @ Rs. 2,100/-)	1.00	Piece	475.00	475.00
5	GCI sheet (of thickness 0.25 mm) for roof & wall of height 5'-0" & width 2'-8" (cutting piece from sheet of height 10'-0"; 7 pieces in bundle @ Rs. 2,450/-)	3.00	Piece	535.00	1605.00
6	PVC pipe (4" dia, 2'-0" long) with 'Y' junction	1.00	Set	200.00	200.00
7	Washer, Nut-bolt, Black anneated wire (for binding GI wire of ferro cement rings used), Hinges, Sikols P sheet etc.	LS	LS	LS	100.00
8	Ceramic rural pan / trap with foot rest	1.00	Set	500.00	500.00
9	Double leach pit lining with circular ferro-cement/ concrete rings in each pit	1.00	Set	LS	1000.00
10	Timber batten for door and roof (local heart wood)	LS	LS	LS	500.00
11	Display Board	LS	LS	LS	100.00
12	Transportation cost of all Materials	LS	LS	LS	400.00
13	Skilled labour for Masonary work	4.00	MD	326.00	1304.00
14	Supervisor (to be engaged for every 6 HHHL's vide Memo No. 301 (20)/Comm-P & RD/P/NREGA/18E-01/06 (part-1) dated 08.10.2013 of P & RDD. Government of West Bengal.	0.20	MD	300.00	60.00
15	Un-skilled labour for masonary work	8.00	MD	245.00	1960.00
GRAND TOTAL = RS.					10989.00
SAY = RS.					10989.00

(Rupees Ten Thousand Nine Hundred & Eighty Nine Only)

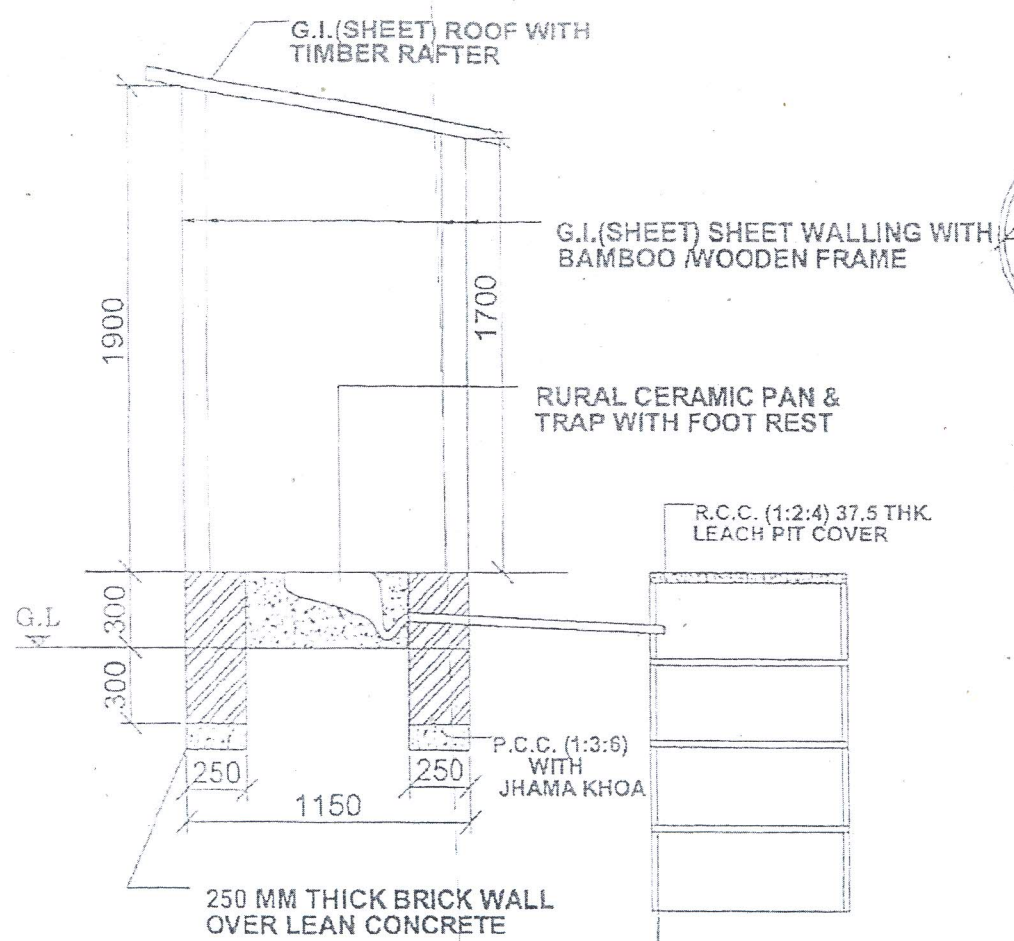
N.B.- This estimate is prepared on the basis of PWD (WB) Schedule of Rates for building works (effective from 01st July, 2014) and Local justified marked rate.

[Signature]
23/12/15

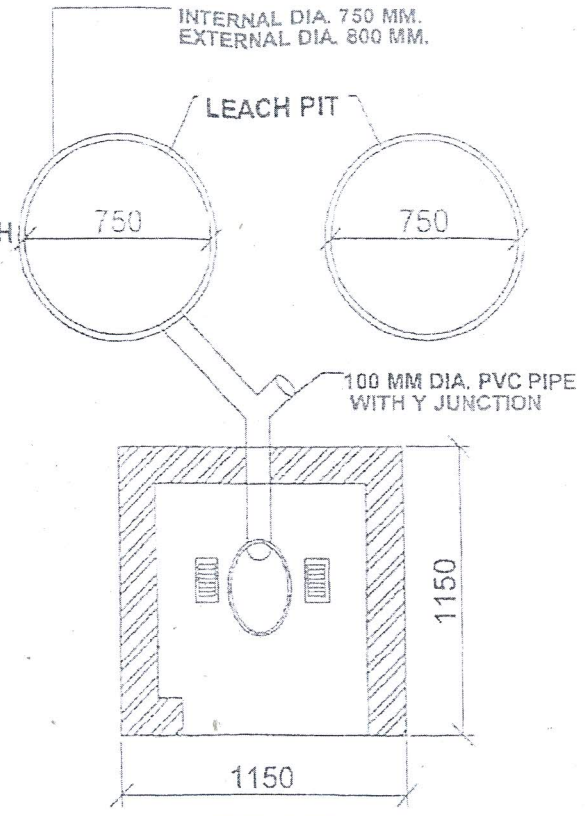
[Signature]
23/12/15

[Signature]

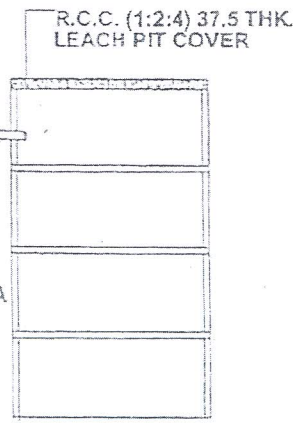
Encl. 1



SEC. ELEVATION



PLAN



LEACH PIT MADE OF 4 NOS. 750MM DIA. 300 MM DEPTH RING.

OFF- THE PIT TOILET (DOUBLE PIT) WITH G.I.(SHEET) SHEET WALL & ROOF

All Dimension are in mm.
DRAWING ARE NOT TO SCALE

Handwritten signature

Handwritten signature

Handwritten signature

130-