

রাজ্য নগর উন্নয়ন সংস্থা

STATE URBAN DEVELOPMENT AGENCY

“ইলগাস ভবন”, এইচ-সি ব্লক, সেক্টর-৩, বিধাননগর, কলকাতা-৭০০ ১০৬, পশ্চিমবঙ্গ

“ILGUS BHAVAN”, H-C Block, Sector - III, Bidhannagar, Kolkata - 700 106, West Bengal

ক্রমিক নং SUDA-37/2015 (PT-11)/6640/6847

তারিখ 24.09.2019

From: Finance Officer, SUDA

To: Chairman, Memary/Katwa/Tamralipta Municipality

MEMORANDUM

Sub: Release of fund to Memary, Katwa & Tamralipta Municipality for construction of Individual Household Latrine (IHHL) under Mission Nirmal Bangla (U)/ Swachh Bharat Mission (U)

Sir,

In connection with the construction of IHHL, fund is hereby released as tabled below under Mission Nirmal Bangla (U)/ Swachh Bharat Mission (U).

The detail of fund released is placed below:

Sl No.	ULB Name	no of IHHL Units Sanctioned	Central Share (@ Rs. 4000/-)	Matching State share (@ Rs. 1333/-)	Additional State share (@ Rs. 2657/-)	Total fund to be released	Name of payee	Bank Details
1	Memary Municipality	467	1868000	622511	1240819	3731330	Memari Municipality	State Bank Of India, Memari Branch, A/C No. 35559370205, IFS Code. SBIN0001366
2	Katwa Municipality	400	1600000	533200	1062800	3196000	Katwa Municipality	ICICI Bank Ltd, Koshigram Branch, A/C No. 203101000335, IFS Code. ICIC0002031
3	Tamralipta Municipality	500	2000000	666500	1328500	3995000	Tamralipta Municipality	Axis Bank Ltd, Tamruk Branch, A/C No. 916010002356629, IFS Code. UTIB0000154

দূরভাষ : ২৩৫৮ ৬৪০৩ / ৫৭৬৭, ফ্যাক্স : ২৩৫৮ ৫৮০০

Tel : 2358 6403/5767, Fax : 2358 5800, E-mail : wbsudadir@gmail.com

Account Section : 2358 6408

2. It has further been decided that while releasing funds unit wise contribution of stakeholders as detailed below shall be followed:

GOI Share	:	Rs. 4000
Matching State Share	:	Rs. 1333
ULB Contribution	:	Rs. 2000
Beneficiary's contribution	:	Rs. 1000
Additional State Share	:	Rs. 2657
Total		Rs. 10,990

3). A model plan & estimate of IHHL is attached for ready reference.

4) The release of fund is also subject to the following conditions:

- a) The fund should be utilized only for the purpose for which it is released and for no other purpose.
- b) Works for the released amount should be executed strictly as per scheme Guidelines.
- c) The allotted work should be completed by 31st December without fail. The toilets should be geo tagged.
- d) The amount released herein should be kept in the dedicated Bank Account for SBM maintained by the ULBs.
- e) A subsidiary Cash Book should be maintained for keeping accounts (deposits and withdrawals) of funds.
- f) Money receipt in Form 42 may be sent immediately after receipt of the online transfer.
- g) UC should submit this office after completion of work by 31st December, 2019 positively in GFR19A form along with physical progress details.

[Handwritten Signature]
30.09.19.

Finance Officer, SUDA.

Abstract of Cost Estimate of Individual Household Latrine with GCI Sheet Wall, Roof & Door and Double leach pit of circular ferro-cement/ concrete rings.

Sl. No.	Description of Item	Quantity	Unit	Rate (Rs.)	Amount (Rs.)
1	1st Class Bricks	85.00	Each	8.50	722.50
2	Cement (Reputed brand with ISI mark)	3.00	Bag	370.00	1110.00
3	1/2" Stone Chips	5.00	C.ft.	43.00	215.00
1	Sand (Coarse)	15.00	C.ft.	32.00	480.00
2	Steel (using 8 mm rod) for 2 pit covers	2.50	kg	55.00	137.50
3	Jhama bats (PWD SOR-Wage for Breaking)	3.00	C.ft.	40.00	120.00
4	GCI sheet (of thickness 0.18 mm) for door of height 5'-0" (cutting piece from sheet of full height 10'-0"; 7 pieces in bundle @ Rs. 2,100/-)	1.00	Piece	475.00	475.00
5	GCI sheet (of thickness 0.25 mm) for roof & wall of height 5'-0" & width 2'-8" 9cutting piece from sheet of height 10'-0"; 7 pieces in bindle @Rs. 2,450/-)	3.00	Piece	535.00	1605.00
6	PVC pipe (4" dia, 2'-0" long) with 'Y' junction	1.00	Set	200.00	200.00
7	Washer, Nut-bolt, Black anneated wire (for binding GI wire 9if ferro cement rings used). Hinges, Sikols P sheet etc.	LS	LS	LS	100.00
8	Ceramic rural pan / trap with foot rest	1.00	Set	500.00	500.00
9	Double leach pit lining with circular ferro-cement/ concrete rings in each pit	1.00	Set	LS	1000.00
10	Timber batten for door and roof (local heart wood)	LS	LS	LS	500.00
11	Display Board	LS	LS	LS	100.00
12	Transportation cost of all Materials	LS	LS	LS	400.00
13	Skilled labour for Masonary work	4.00	MD	326.00	1304.00
14	Supervisor (to be engaged for every 6 HHHL's vide Memo No. 301 (20)/Comm-P & RD/P/NREGA/185-01/06 (part-I) dated 08.10.2013 of P & RDD. Government of West Bengal.	0.20	MD	300.00	60.00
15	Un-skilled labour for masonary work	8.00	MD	245.00	1960.00
GRAND TOTAL = RS.					10989.00
SAY = RS.					10989.00
(Rupees Ten Thousand Nine Hundred & Eighty Nine Only)					
N.B.-This estimate is prepared on the basis of PWD (WB) Schedule of Rates for building works (effective from 01st July, 2014) and Local justified marked rate:					

[Signature]
27/12/15

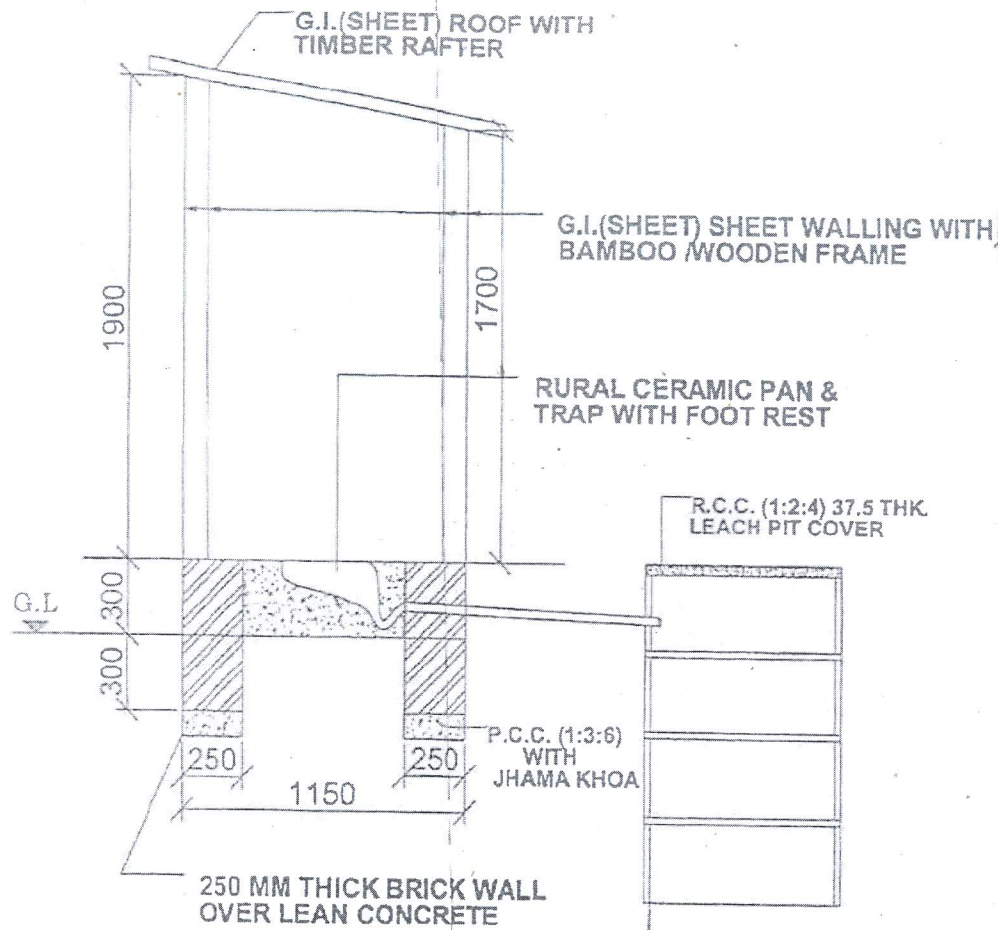
[Signature]
28/12/15

[Signature]
28/12/15

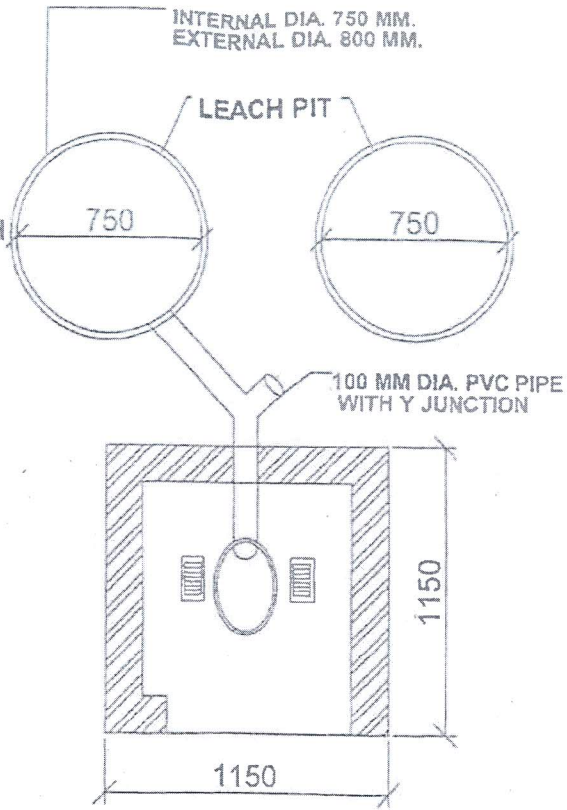
Off. Secy. to the Secy.
of H. H. Dept. of W. B.
Govt. of West Bengal

Off. Secy. to the Secy.
of H. H. Dept. of W. B.
Govt. of West Bengal

Encl-1



SEC. ELEVATION



PLAN

**OFF- THE PIT TOILET (DOUBLE PIT)
WITH G.I.(SHEET) SHEET WALL & ROOF**

**All Dimension are in mm.
DRAWING ARE NOT TO SCALE**

180-

Handwritten signature
 Assistant Engineer
 Municipal Corporation
 Dept. of Urban Sanitation
 Bangalore

Handwritten signature
 M. S. Prabhakar
 Deputy Commissioner
 Bangalore