

রাজ্য নগর উন্নয়ন সংস্থা

STATE URBAN DEVELOPMENT AGENCY

“ইলগাস ভবন”, এইচ-সি ব্লক, সেক্টর-৩, বিধাননগর, কলকাতা-৭০০ ১০৬, পশ্চিমবঙ্গ

“ILGUS BHAVAN”, H-C Block, Sector - III, Bidhannagar, Kolkata - 700 106, West Bengal

ক্রমিক নং MP/P/C-10/35-148/2017/1748তারিখ 23/03/2018.

From: Finance Officer, SUDA

To: Chairperson, Dum Dum Municipality

MEMORANDUM

Sub: Release of fund for Procurement of equipment of Dum Dum Municipality under Swachh Bharat Mission (U)

Sir,

Fund has been released Rs. 7927192, vide sanction order no. 400 dated 14.11.2017 for following SWM equipments of North Dum Dum Municipality under Swachh Bharat Mission (U).

Sl no.	Item	qty	Basic Price (Rs)	Taxes (Rs)	Total (Rs.)
1.	10 cu.M Dumper of BS-iv Model	1	1928125	539875	2468000
2.	Battery Operated Hydraulic Dumper	12	2341786	319334	2661120
3.	Tri-cycle Van (Galv. Sheet Body conventional Type)	12	201600	24192	225792
Total					5354192

Also a sum of Rs. 25.73 lakh has been released for purchase of 1(one) Backward loader & 2 (two) Battery operated hydraulic Dumper.

Fund has been released through Kolkata Pay & Accounts Office-III in the A/C No: - 915010062649605 on the date 20.03.2018.

Yours faithfully,

Finance Officer, SUDA.

The release of fund is also subject to the following conditions:

- 1) The fund should be utilized only for the purpose for which it is released and for no other purpose.
- 2) Works for the released amount should be executed strictly as per scheme Guidelines.
- 3) Monthly report of Physical and Financial progress should be sent to SUDA and MED by the 7th of the following month.
- 4) The amount released herein should be kept in the dedicated Bank Account for SBM maintained by the ULBs.
- 5) A subsidiary Cash Book should be maintained for keeping accounts (deposits and withdrawals) of funds.
- 6) Money receipt in Form 42 may be sent immediately after receipt of the online transfer.
- 7) Appropriate amounts should be sub allotted to the concerned ULBs.



Finance Officer, SUDA.

Copy Forwarded for kind information of: 11748(0)/4

1. Secretary, UD & MA Dept, Govt. of West Bengal.
2. Sri B.N.KAR, Addl. Dir. SBM and Addl. Dir. ILGUS.
3. Chief Engineer, M.E. Directorate.
4. Cashier, SUDA.



Finance Officer, SUDA.

রাজ্য নগর উন্নয়ন সংস্থা

STATE URBAN DEVELOPMENT AGENCY

“ইলগাস ভবন”, এইচ-সি ব্লক, সেক্টর-৩, বিধাননগর, কলকাতা-৭০০ ১০৬, পশ্চিমবঙ্গ

“ILGUS BHAVAN”, H-C Block, Sector - III, Bidhannagar, Kolkata - 700 106, West Bengal

ক্রমিক নং MA/P/c-10/35-40/20.17 (Pt-1)/1749

তারিখ 13/03/2018

From: Finance Officer, SUDA

To: Chairperson, North Dum Dum Municipality

MEMORANDUM

Sub: Release of fund for SWM Project of North Dum Dum Municipality under Swachh Bharat Mission (U)

Sir,

Fund has been released Rs. 20340000, vide sanction order no. 400/MA dated 14.11.2017 for following SWM equipments of North Dum Dum Municipality under Swachh Bharat Mission (U).

Sl no.	Item	Rate (Rs.)	Quantity	Total Cost (Rs.)
1.	Dumper	11290000	1	11290000
2.	Small Movable Compactor	-	1	-
3.	Pock Land Machine	5900000	1	5900000
4.	Suction as well as Jetting Machine	2000000	1	2000000
5.	Battery Operated Tipper	230000	5	1150000
Total				20340000

Details of release placed below:

Sl No.	Name of the Payee	Amount (In Rs.)	Payees Bank Details
01.	North Dum Dum Municipality	20340000	ICICI Bank Ltd, Tegharia VIP Road Branch, A/C No. 037101006293, IFS Code:- ICIC0000371

Yours faithfully,


 Finance Officer, SUDA.

দূরভাষ : ২৩৫৮ ৬৪০৩ / ৫৭৬৭, ফ্যাক্স : ২৩৫৮ ৫৮০০

Tel : 2358 6403/5767, Fax : 2358 5800, E-mail : wbsudadir@gmail.com

Account Section : 2358 6408

The release of fund is also subject to the following conditions:

- 1) The fund should be utilized only for the purpose for which it is released and for no other purpose.
- 2) Works for the released amount should be executed strictly as per scheme Guidelines.
- 3) Monthly report of Physical and Financial progress should be sent to SUDA and MED by the 7th of the following month.
- 4) The amount released herein should be kept in the dedicated Bank Account for SBM maintained by the ULBs.
- 5) A subsidiary Cash Book should be maintained for keeping accounts (deposits and withdrawals) of funds.
- 6) Money receipt in Form 42 may be sent immediately after receipt of the online transfer.
- 7) Appropriate amounts should be sub allotted to the concerned ULBs.



Finance Officer, SUDA.

Copy Forwarded for kind information of: 1749/1(4)

1. Secretary, UD & MA Dept, Govt. of West Bengal.
2. Sri B.N.KAR, Addl. Dir. SBM and Addl. Dir. ILGUS.
3. Chief Engineer, M.E. Directorate.
4. Cashier, SUDA.



Finance Officer, SUDA.

STATE URBAN DEVELOPMENT AGENCY

“ইলগাস ভবন”, এইচ-সি ব্লক, সেক্টর-৩, বিধাননগর, কলকাতা-৭০০ ১০৬, পশ্চিমবঙ্গ
 “ILGUS BHAVAN”, H-C Block, Sector - III, Bidhannagar, Kolkata - 700 106, West Bengal

ক্রমিক নং SUDA - 37 / 2018 (Pt - 1) / 1700 .

তারিখ 20 / 03 / 2018

From: Finance Officer, SUDA

To: District Magistrate, Purba Medinipur

MEMORANDUM

Sub: Release of fund to District Magistrate, Purba Medinipur for construction of additional 2125 nos. of Individual Household Latrine (IHHL) of Contai & Panskura Municipality with the objective of declaring the ULBs in the District ODF under Mission Nirmal Bangla (U)/Swachh Bharat Mission (U)

Sir,

In response to your office Memo no. 89/JSH-II/SBM Urban/PMZP/18 Dated 26.02.2018 an amount of Rs. 16978750 has been released in favour of Purba Medinipur for construction of Additional 2125 nos. of Individual Household Latrine (IHHL), for contain Municipality (200 nos.) and Panskura Municipality (1925 nos.) under Mission Nirmal Bangla (U) / Swachh Bharat Mission (U).

Details of Fund disbursement is placed below:

ULB	Targeted No. of IHHL Units	Central Share (@ Rs. 4000/-)	Matching State Share (@ Rs. 1333/-)	Additional State Share (@ Rs. 2657 /-)	Total to be Released (@Rs. 7990/-)
Contai	200	800000	266667	531333	1598000
Panskura	1925	7700000	2566667	7424083	15380750
Total	2125	8500000	2833334	7955416	16978750

The amount has been released to the A/C No:- 10390316865 of State Bank Of India of Tamluk Railway Station Branch in the name of Total Sanitation Campaign, Purba Medinipur on 14.03.2018.



Finance Officer, SUDA.

In this connection kindly find enclosed herewith the provisional number of IHHL units to be constructed in the Urban Local Bodies of the District ULB wise as per findings of the comprehensive house to house survey for identification of insanitary latrine/no latrine facilities. However the actual number will be as per field executions. The model plan for the latrine unit as prepared by Municipal Engineering Directorate at an estimated cost of Rs. 10,990/- has been decided to be adopted in the program. A copy of plan and estimate of the model design of the latrine is enclosed herewith. The implementation of the program may be undertaken under the overall co-ordination of the District Magistrates and the respective ULBs. The work may be executed preferably through sanitary mart or such other self-help groups (as was done in the case of Nadia) or through the ULBs or otherwise as may be decided by the respective District Administration.

It is further informed that the progress of construction of IHHL starting from applications by the beneficiaries to completion of the units are required to be uploaded in the Govt. of India's portal under SBM. The uploading may be done by CSC e-Governance Services India Ltd. (a special purpose vehicle company constituted by Dept. of Information Technology, Govt. of India and entrusted to look after the CSC scheme across the country) or by the respective ULBs.

The District Administrations will also be required to identify the households where there is no suitable space for construction of IHHL. On receiving a feedback from the Districts proposals for construction of Community Toilets in close proximity of the identified households will be prepared and submitted to the MA Dept. for reference to Finance Department for the required additional State share. Simultaneously the concerned ULBs will be required to identify suitable lands for construction of Community Toilets.

It has further been decided that the following fund sharing pattern will be adopted in implementation of the program:

GOI share	:	Rs. 4000
Matching State share	:	Rs. 1333
ULB contribution	:	Rs. 2000
Beneficiary's contribution	:	Rs. 1000
Additional State share	:	Rs. 2657
Total		Rs. 10,990

Commitments from the ULBs should be obtained by the District Magistrates regarding payment of ULBs share and beneficiary's share.

SUDA-37/2015 (pt-l) / 1700/1(9)

20 .03.2018

Copy Forwarded for kind information of:

1. Secretary, UD & MA Dept, Govt. of West Bengal.
2. Sri B.N.KAR, Addl. Dir. SBM and Addl. Dir. ILGUS.
3. Chief Engineer, M.E. Directorate.
4. Cashier, SUDA.



Finance Officer, SUDA.

রাজ্য নগর উন্নয়ন সংস্থা
STATE URBAN DEVELOPMENT AGENCY

“ইলগাস ভবন”, এইচ-সি ব্লক, সেক্টর-৩, বিধাননগর, কলকাতা-৭০০ ১০৬, পশ্চিমবঙ্গ
“ILGUS BHAVAN”, H-C Block, Sector - III, Bidhannagar, Kolkata - 700 106, West Bengal

ক্রমিক নং SUDA-30/2018/1657

তারিখ 15.03.2018

From: Finance Officer, SUDA

To: District Magistrate, Hooghly

MEMORANDUM

Sub: Release of fund to District Magistrate, Hooghly for construction of Community Toilet for Arambag Municipality under Mission Nirmal Bangla (U)/ Swachh Bharat Mission (U)

Madam,

In response to your office Vide no. 1649/Aram Dated 19.02.2018 an amount of Rs. 3900000 has been released in favour of Zilla Parishad, Hooghly District for construction of Community Toilet for Arambag Municipality under Mission Nirmal Bangla (U)/ Swachh Bharat Mission (U).

ULB	No. of Community Toilet	Total Fund Required @ Rs. 780000/-	Goi Share @ Rs. 312000	Goi Share @ Rs. 312000	Additional State Share @ Rs. 364000
Arambag	5 (each with 6 Toilet seat & 6 Urinal Unit)	3900000	1560000	520000	182000

Remaining fund as per vetted estimate to be borne by the municipality.

The amount has been released to the A/C no:- 11055230814 of State Bank Of India of Chinsurah Branch in the name of Zilla Parishad, Hooghly Distric on the date 13.03.2018.

Ranv 15-03-18
Finance Officer, SUDA.

The release of fund is also subject to the following conditions:

- 1) The fund should be utilized only for the purpose for which it is released and for no other purpose.
- 2) Works for the released amount should be executed strictly as per scheme Guidelines.
- 3) Monthly report of Physical and Financial progress should be sent to SUDA and MED by the 7th of the following month.
- 4) The amount released herein should be kept in the dedicated Bank Account for SBM maintained by the ULBs.
- 5) A subsidiary Cash Book should be maintained for keeping accounts (deposits and withdrawals) of funds.
- 6) Money receipt in Form 42 may be sent immediately after receipt of the online transfer.
- 7) Appropriate amounts should be sub allotted to the concerned ULBs.

Ram 15-03-18

Finance Officer, SUDA.

SUDA-30/2018 / 1657/100

15.03.2018

Copy Forwarded for kind information of:

1. Secretary, UD & MA Dept, Govt. of West Bengal.
2. Sri B.N.KAR, Addl. Dir. SBM and Addl. Dir. ILGUS.
3. Chief Engineer, M.E. Directorate.
4. Cashier, SUDA.

Ram 15-03-18

Finance Officer, SUDA.

রাজ্য নগর উন্নয়ন সংস্থা

STATE URBAN DEVELOPMENT AGENCY

“ইলগাস ভবন”, এইচ-সি ব্লক, সেক্টর-৩, বিধাননগর, কলকাতা-৭০০ ১০৬, পশ্চিমবঙ্গ
“ILGUS BHAVAN”, H-C Block, Sector - III, Bidhannagar, Kolkata - 700 106, West Bengal

ক্রমিক নং SUDA-142/2016/1597

তারিখ 06/03/2018

From: Finance Officer, SUDA

To: Mayor, Kolkata Municipal Corporation

MEMORANDUM

Sub: Release of balance fund for SWM Project of Kolkata MC under Mission Nirmal Bangal (U)
/ Swachh Bharat Mission (U)

Sir,

In response to your vide no:- 2778/PS/2017 Dated- 08.12.2017, has been released Rs. 534930000 for SWM Project of KolkataMC under Mission Nirmal Bangla (U) / Swachh Bharat Mission (U).

Sl No.	Name of the Payee	Amount (In Rs.)	Payees Bank Details
01.	Kolkata Municipal Corporation	534930000	Union Bank Of India, Dharmatalla Branch, A/C No. 301301010013093, IFS Code:- UBIN0530131

Yours faithfully,

Finance Officer, SUDA.

The release of fund is also subject to the following conditions:

- 1) The fund should be utilized only for the purpose for which it is released and for no other purpose.
- 2) Works for the released amount should be executed strictly as per scheme Guidelines.
- 3) Monthly report of Physical and Financial progress should be sent to SUDA and MED by the 7th of the following month.
- 4) The amount released herein should be kept in the dedicated Bank Account for SBM maintained by the ULBs.
- 5) A subsidiary Cash Book should be maintained for keeping accounts (deposits and withdrawals) of funds.
- 6) Money receipt in Form 42 may be sent immediately after receipt of the online transfer.
- 7) Appropriate amounts should be sub allotted to the concerned ULBs.

Bank 06.03.18

Finance Officer, SUDA.

SUDA-142/2016/1597/1(4)

06.03.18

Copy Forwarded for kind information of:

1. Secretary, UD & MA Dept, Govt. of West Bengal.
2. Sri B.N.KAR, Addl. Dir. SBM and Addl. Dir. ILGUS.
3. Chief Engineer, M.E. Directorate.
4. Cashier, SUDA.

Bank 06.03.18

Finance Officer, SUDA.

STATE URBAN DEVELOPMENT AGENCY

“ইলগাস ভবন”, এইচ-সি ব্লক, সেক্টর-৩, বিধাননগর, কলকাতা-৭০০ ১০৬, পশ্চিমবঙ্গ
 “ILGUS BHAVAN”, H-C Block, Sector - III, Bidhannagar, Kolkata - 700 106, West Bengal

ক্রমিক নং SUDA - 37 / 2015 (PH) / 1598

তারিখ 06.03.2018

From: Finance Officer, SUDA

To: District Magistrate, Howrah

MEMORANDUM

Sub: Release of fund to District Magistrate, Howrah for IEC Activities under Mission Nirmal Bangla (U)/ Swachh Bharat Mission (U)

Sir,

In reference to your vide memo no. 75/MA dated 20.04.2017, fund are being released in favour of District Magistrate, Howrah for Howrah Municipal Corporation and Uluberia Municipality for starting information, Education and communication (IEC) activities in the urban areas for the awareness among common people under Mission Nirmal Bangla (U) / Swachh Bharat Mission (U).

Sl No.	Name of ULB	5 % of the total fund for the purpose of IEC activities (In Rs.)
1.	Howrah Municipal Corporation	2910000
2.	Uluberia Municipality	4632000
	Total	7542000

The amount has been released to the A/C No: - 400910100010635 of Bank of India of Howrah Branch in the name of Mission Nirmal Bangla on 28.02.2018.

Ray 06.03.18
 Finance Officer, SUDA.

Under public Awareness and IEC, the activities the District Administration can undertake include:

- Town level public Awareness workshop for sensitizing people
- Banners and hoardings at appropriate locations
- Leaflets for distribution on SBM objectives
- Quiz competition in schools and colleges
- Programs involving senior citizens
- Road shows and Tablo
- Advertisement in local cable Tv channel
- Advertisement in local print media
- Innovative mechanism encouraging use of toilets and discouraging open defecation
- Workshops for sanitary marts
- School children awareness events
- Folk group sensitization events
- Technology sensitization session for Municipal Engineers
- Activities under Theme Based Cleanliness drive

Ray 05.03.18

Finance Officer, SUDA.

The release is also subject to the following conditions:

- 1) The fund should be utilized only for the purpose for which it is released and for no other purpose.
- 2) Works for the released amount should be executed strictly as per scheme Guidelines.
- 3) Monthly report of Physical and Financial progress should be sent to SUDA and MED by the 7th of the following month.
- 4) The amount released herein should be kept in the dedicated Bank Account for SBM maintained by the ULB.
- 5) A subsidiary Cash Book should be maintained for keeping accounts (Deposits and Withdrawals) of funds.
- 6) Money receipt Form 42 may be sent immediately after receipt of the online transfer.

Yours faithfully,

Ray 06.3.18

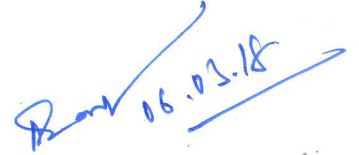
Finance Officer, SUDA.

SUDA-37/2015 (pt) / 1598/1 (4)

06.03.2018

Copy Forwarded for kind information of:

1. Secretary, UD & MA Dept, Govt. of West Bengal.
2. Sri B.N.KAR, Addl. Dir. SBM and Addl. Dir. ILGUS.
3. Chief Engineer, M.E. Directorate.
4. Cashier, SUDA.

Handwritten signature and date: 06.03.18

Finance Officer, SUDA.

রাজ্য নগর উন্নয়ন সংস্থা

STATE URBAN DEVELOPMENT AGENCY

“ইলগাস ভবন”, এইচ-সি ব্লক, সেক্টর-৩, বিধাননগর, কলকাতা-৭০০ ১০৬, পশ্চিমবঙ্গ

“ILGUS BHAVAN”, H-C Block, Sector - III, Bidhannagar, Kolkata - 700 106, West Bengal

ক্রমিক নং SUDA-37/2015 (PL-III)/1597

তারিখ 06.03.2018

From: Finance Officer, SUDA

To: District Magistrate, Murshidabad

MEMORANDUM

Sub: Release of fund to District Magistrate, Murshidabad for construction of Community Toilet (CT) & Public Toilet (PT) in Domkal Municipality with the objective of declaring the ULBs in the District ODF under SBM (U)

Sir,

In response to your office vide no. 63/Dom. Mun/18 Dated 05.02.2018 an amount of Rs. 21840000 has been released in favour of District Magistrate, Murshidabad for construction of following CT & PT in Domkal Municipality under Swachh Bharat Mission (U).

ULB	Targeted No. of Community Toilet	No. of Toilet Seat	No. of Urinal Seat	Central Share (40%)	Matching State Share (1/3 of Central Share)	Additional State Share (Remaining)	Total to be Released (In Rs.)
Domkol	21	84		3292800	1097600	3841600	8232000
			84	1075200	358400	1254400	2688000
		Total		4368000	1456000	5096000	10920000

ULB	Targeted No. of Public Toilet	No. of Toilet Seat	No. of Urinal Seat	Central Share (40%)	Matching State Share (1/3 of Central Share)	Additional State Share (Remaining)	Total to be Released (In Rs.)
Domkol	21	84		3292800	1097600	3841600	8232000
			84	1075200	358400	1254400	2688000
		Total		4368000	1456000	5096000	10920000

The amount has been released to the A/C No: - 0257104000118507 of IDBI Bank Ltd of Berhampore Branch in the name of TSC-MZP on 28.02.2018.


Finance Officer, SUDA.

দুরভাষ : ২৩৫৮ ৬৪০৩ / ৫৭৬৭, ফ্যাক্স : ২৩৫৮ ৫৮০০

Tel : 2358 6403/5767, Fax : 2358 5800, E-mail : wbsudadir@gmail.com

Account Section : 2358 6408



The release of fund is also subject to the following conditions:

- 1) The fund should be utilized only for the purpose for which it is released and for no other purpose.
- 2) Works for the released amount should be executed strictly as per scheme Guidelines.
- 3) Monthly report of Physical and Financial progress should be sent to SUDA and MED by the 7th of the following month.
- 4) The amount released herein should be kept in the dedicated Bank Account for SBM maintained by the ULBs.
- 5) A subsidiary Cash Book should be maintained for keeping accounts (deposits and withdrawals) of funds.
- 6) Money receipt in Form 42 may be sent immediately after receipt of the online transfer.
- 7) Appropriate amounts should be sub allotted to the concerned ULBs.

Finance Officer, SUDA.

SUDA-37/2015 (pt.-III) / 1599/1 (4)

06.03.2018

Copy Forwarded for kind information of:

1. Secretary, UD & MA Dept, Govt. of West Bengal.
2. Sri B.N.KAR, Addl. Dir. SBM and Addl. Dir. ILGUS.
3. Chief Engineer, M.E. Directorate.
4. Cashier, SUDA.

Finance Officer, SUDA.

রাজ্য নগর উন্নয়ন সংস্থা

STATE URBAN DEVELOPMENT AGENCY

“ইলগাস ভবন”, এইচ-সি ব্লক, সেক্টর-৩, বিধাননগর, কলকাতা-৭০০ ১০৬, পশ্চিমবঙ্গ
 “ILGUS BHAVAN”, H-C Block, Sector - III, Bidhannagar, Kolkata - 700 106, West Bengal

ক্রমিক নং SUDA - ২১৭/২০১৫ (প৭) / ১৫৭৬

তারিখ ০৬/০৩/২০১৮.

From: Finance Officer, SUDA

To: Mayor, Siliguri Municipal Corporation

MEMORANDUM

Sub: Release of fund to Siliguri Municipal Corporation for construction of IHHL with the objective of declaring the ULB ODF under SBM (U)

Sir,

In response to your office vide no. 240/SMC/UPE/2017-2018 Dated 21.12.2017 an amount of Rs. 32735030 has been released in favour of Siliguri Municipal Corporation for construction of 4097 nos of individual Household Latrine (IHHL) units under Swachh Bharat Mission (U).

ULB	Targeted No. of IHHL Units	Central Share (@ Rs. 4000/)	Matching State Share (@ Rs. 1333/-)	Additional State Share (@ Rs. 2657 /-)	Total to be Released (in Rs.)
Siliguri MC	4097	16388000	5462666	10884364	32735030

The amount has been released to the A/C No:- 07800100016822 of Bank Of Baroda of Siliguri Branch in the name of Siliguri Municipal Corporation on 28.02.2018.

Finance Officer, SUDA.

In this connection kindly find enclosed herewith the provisional number of IHHL units to be constructed in the Urban Local Bodies of the District ULB wise as per findings of the comprehensive house to house survey for identification of insanitary latrine/no latrine facilities. However the actual number will be as per field executions. The model plan for the latrine unit as prepared by Municipal Engineering Directorate at an estimated cost of Rs. 10,990/- has been decided to be adopted in the program. A copy of plan and estimate of the model design of the latrine is enclosed herewith. The implementation of the program may be undertaken under the overall co-ordination of the District Magistrates and the respective ULBs. The work may be executed preferably through sanitary mart or such other self-help groups (as was done in the case of Nadia) or through the ULBs or otherwise as may be decided by the respective District Administration.

It is further informed that the progress of construction of IHHL starting from applications by the beneficiaries to completion of the units are required to be uploaded in the Govt. of India's portal under SBM. The uploading may be done by CSC e-Governance Services India Ltd. (a special purpose vehicle company constituted by Dept. of Information Technology, Govt. of India and entrusted to look after the CSC scheme across the country) or by the respective ULBs.

The District Administrations will also be required to identify the households where there is no suitable space for construction of IHHL. On receiving a feedback from the Districts proposals for construction of Community Toilets in close proximity of the identified households will be prepared and submitted to the MA Dept. for reference to Finance Department for the required additional State share. Simultaneously the concerned ULBs will be required to identify suitable lands for construction of Community Toilets.

It has further been decided that the following fund sharing pattern will be adopted in implementation of the program:

GOI share	:	Rs. 4000
Matching State share	:	Rs. 1333
ULB contribution	:	Rs. 2000
Beneficiary's contribution	:	Rs. 1000
Additional State share	:	Rs. 2657
Total		Rs. 10,990

Commitments from the ULBs should be obtained by the District Magistrates regarding payment of ULBs share and beneficiary's share.

Rank

The release of fund is also subject to the following conditions:

- 1) The fund should be utilized only for the purpose for which it is released and for no other purpose.
- 2) Works for the released amount should be executed strictly as per scheme Guidelines.
- 3) Monthly report of Physical and Financial progress should be sent to SUDA and MED by the 7th of the following month.
- 4) The amount released herein should be kept in the dedicated Bank Account for SBM maintained by the ULBs.
- 5) A subsidiary Cash Book should be maintained for keeping accounts (deposits and withdrawals) of funds.
- 6) Money receipt in Form 42 may be sent immediately after receipt of the online transfer.
- 7) Appropriate amounts should be sub allotted to the concerned ULBs.



Finance Officer, SUDA.

SUDA-217/2015 (pt) / 1596 / 1 (4)

06.03.2018

Copy Forwarded for kind information of:

1. Secretary, UD & MA Dept, Govt. of West Bengal.
2. Sri B.N.KAR, Addl. Dir. SBM and Addl. Dir. ILGUS.
3. Chief Engineer, M.E. Directorate.
4. Cashier, SUDA.



Finance Officer, SUDA.

Abstract of Cost Estimate of Individual Household Latrine with GCI Sheet Wall, Roof & Door and Double leach pit of circular ferro-cement/ concrete rings.

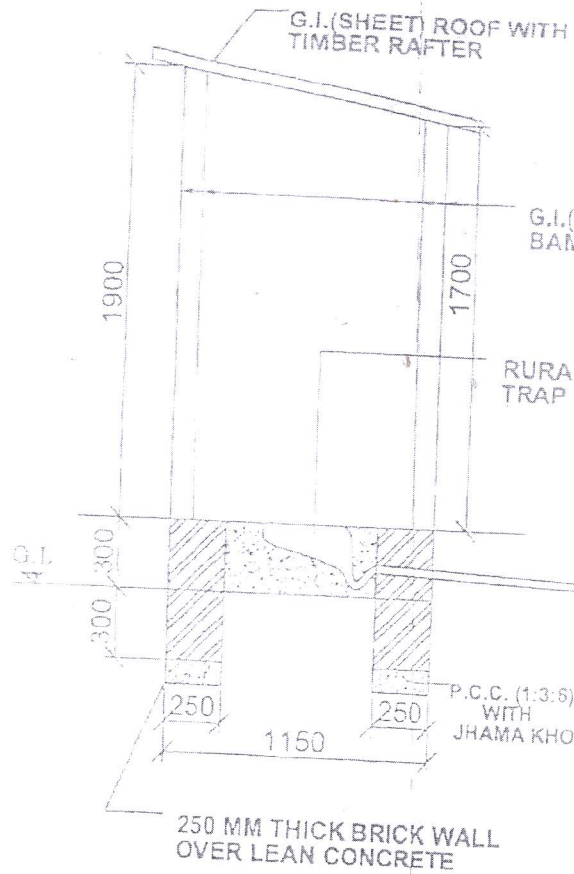
Sl. No.	Description of Item	Quantity	Unit	Rate (Rs.)	Amount (Rs.)
1	1st Class Bricks	85.00	Each	8.50	722.50
2	Cement (Reputed brand with ISI mark)	3.00	bag	370.00	1110.00
3	1/2" Stone Chips	5.00	Cft.	43.00	215.00
1	Sand (Coarse)	15.00	Cft.	32.00	480.00
2	Steel (using 8 mm rod) for 7 pit covers,	2.50	kg	55.00	137.50
3	Jhama bats (PWD SOR-Wage for Breaking)	3.00	Cft.	40.00	120.00
4	GCI sheet (of thickness 0.18 mm) for door of height 5'-0" (cutting piece from sheet of full height 10'-0"; 7 pieces in bundle @ Rs. 2,100/-)	1.00	Piece	475.00	475.00
5	GCI sheet (of thickness 0.25 mm) for roof & wall of height 5'-0" & width 2'-5" (cutting piece from sheet of height 10'-0"; 7 pieces in bundle @ Rs. 2,450/-)	3.00	Piece	535.00	1605.00
6	PVC pipe (4" dia, 2'-0" long) with 'Y' junction	1.00	Set	200.00	200.00
7	Washer, Nut-bolt, Black annealed wire (for binding GI wire of ferro-cement rings used), Hinges, Sikols P sheet etc.	LS	LS	LS	100.00
8	Ceramic rural pan / trap with foot rest	1.00	Set	500.00	500.00
9	Double leach pit lining with circular ferro-cement/ concrete rings in each pit	1.00	Set	LS	1000.00
10	Timber batten for door and roof (local heart wood)	LS	LS	LS	500.00
11	Display Board	LS	LS	LS	100.00
12	Transportation cost of all Materials	LS	LS	LS	400.00
13	Skilled labour for Masonary work	4.00	ME	326.00	1304.00
14	Supervisor (to be engaged for every 6 HHU's vide Memo No. 301 (20)/Comm-P & RD/P/NRUGA/LHE 01/09 (part I) dated 06.10.2013 of P & RDD, Government of West Bengal.	0.20	MD	300.00	60.00
15	Un-skilled labour for masonary work	8.00	MD	245.00	1960.00
				GRAND TOTAL = RS.	10989.00
				SAY = RS.	10989.00
(Rupees Ten Thousand Nine Hundred & Eighty Nine Only)					

N.B.- This estimate is prepared on the basis of PWD (WB) Schedule of Rates for building works (effective from 01st July, 2014) and Local notified market rate.

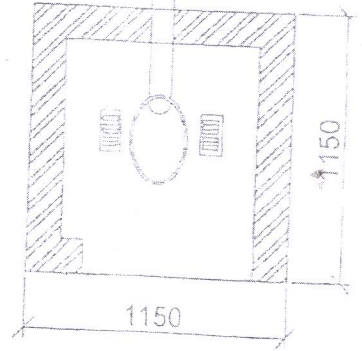
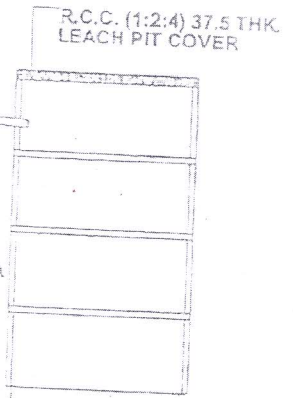
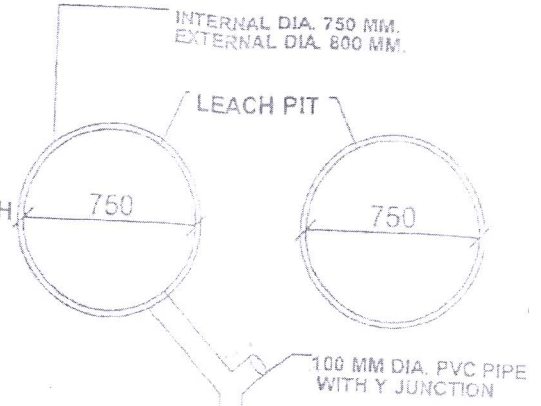
[Handwritten Signature]
27/12/15

[Handwritten Signature]

Eno. 9



SEC. ELEVATION



PLAN

LEACH PIT MADE OF 4 NOS. 750MM DIA. 300 MM DEPTH RING.

OFF- THE PIT TOILET (DOUBLE PIT) WITH G.I.(SHEET) SHEET WALL & ROOF

All Dimension are in mm.
DRAWING ARE NOT TO SCALE

Handwritten notes and signatures:
23/12/15
[Signature]